

1 HAUSS BENCHES



Benches

7300 NW 35th Ave Miami, FL. 33147
Tlf: +1 (786) 345 1760
Fax: +1 (786) 228 8096
info@1hauss.com
www.1hauss.com



PLANK

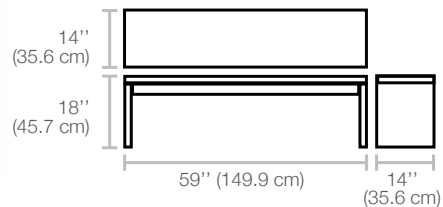
BENCH

1
HAUSS



PLANK

BENCH



Technical Specifications

- Walnut veneer and horizontal grooved legs add simplicity and elegance
- Walnut color makes it an easy wood to mix with other elements in a room
- Wood veneer is applied to engineered panels, which prevents warping and maintains structural integrity over time and under different conditions
- Engineered wood Top, solid and Engineered wood legs, Walnut veneer
- All hardware and tools for assembly included
- Manufactured to meet California TB117-2013 fire safety standards without the use of flame retardant additives in the upholstery foam

Finish:



Walnut

Shipping information

- # of boxes: 1
- CBM: 0.148
- Total Weight: 25 Kg

Non-stock item: Subject to 90 to 120 days lead time

Warranty

- 1 year warranty

Table also available



RETURN

BENCH

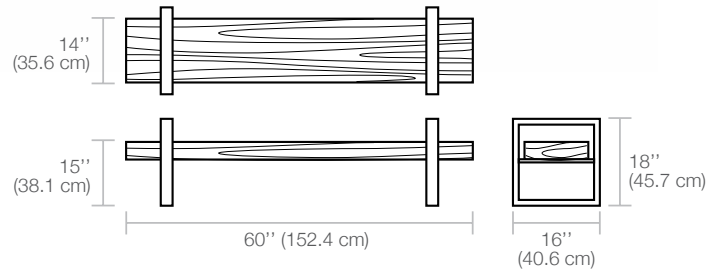
1
HAUSS



RETURN

BENCH

1 HAUSS



Technical Specifications

- Wood veneer is applied to engineered panels, which prevents warping and maintains structural integrity over time and under different conditions
- CARB Phase 2 "California Air Resource Board" compliant, which is a rating for off-gassing
- Bench seat is wood veneered surface over Engineered wood substrate
- Features 2 loops of 2" x 1" brushed stainless steel rectangular section tubing
- Loops have brushed finish with mitered corners
- Legs are bolted on to the top with hex head bolts (bolts and hex wrench included)
- Leveler feet on all 4 corners to prevent floor damage

Finish:



Natural Oak



Black Oak



Walnut

Base:



Stainless Steel

Shipping information

- # of boxes: 1
- CBM: FALTA
- Total Weight: FALTA

Non-stock item: Subject to 90 to 120 days lead time

Warranty

- 1 year warranty



TRANSIT

BENCH

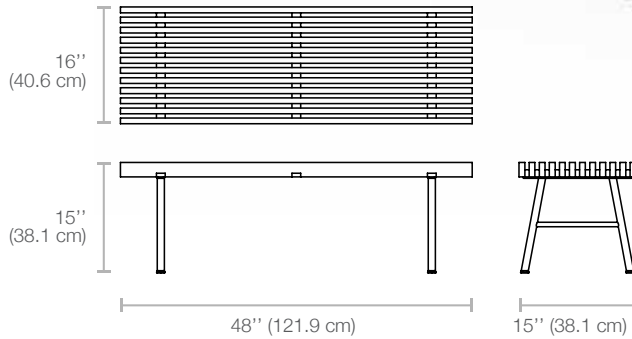
1
HAUSS



TRANSIT

BENCH

1
HAUSS



Technical Specifications

- Solid Ash wood top
- Solid Ash Wood - FSC®-Certified in support of responsible forest management
- Bench seat is finger jointed for stability
- Powder coated 1" round tubular legs
- Leveler feet to prevent floor damage
- Legs are bolted to the top with hex head bolts (bolts and hex wrench included)

Finish:



FSC-Certified Solid
Black Ash

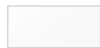


FSC-Certified Solid
Natural Ash

Base:



Powder coated steel
Black



Powder coated steel
White

Shipping information

- # of boxes: 1
- CBM: 0.087
- Total Weight: 15 Kg

Non-stock item: Subject to 90 to 120 days lead time

Warranty

- 1 year warranty

